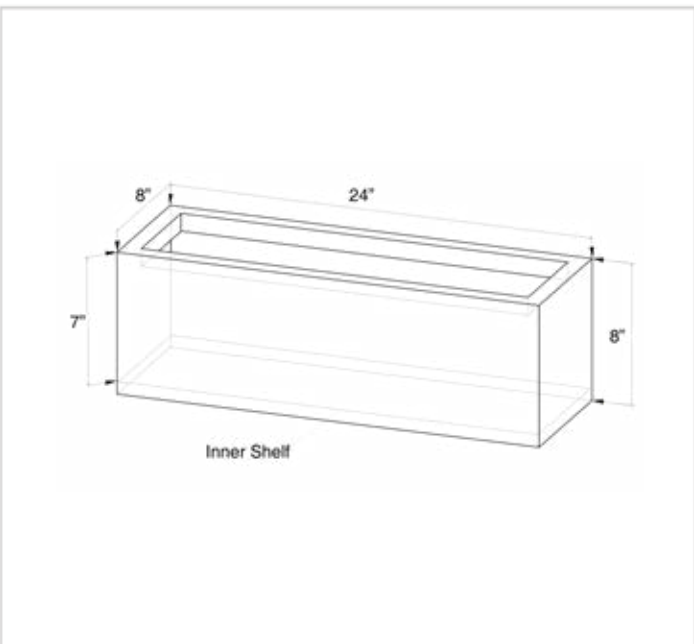


# Box Mini

Item # PLC - B12  
8" x 24" x 8"

Final Model #		
Project		
Type	Area	

## UPC #:



## FULL PRODUCT DESCRIPTION

Corten is a weathering steel that has the unique attribute of oxidizing while maintaining its structural integrity. The surface of Corten will develop an ever changing and unique patina. This sleek design is perfect for an Entrance, Border, Porch, Poolside, or Balcony.

## KEY BULLET POINTS

- Corten 16 Gauge Steel Produced in USA
- 1.5 mm Wall Thickness
- Hand Dressed Full Seam Welds
- Fixed Interior Shelf With 3 Drain Holes
- Weathering Steel Will Patina Naturally Over Time
- Corten Planters Are Shipped Un-Weathered
- 5-Year Warranty

## COLOR OPTIONS

**\*Corten Patina Process**

Raw Corten    New Corten    6 Months    12 Months

\*As Corten is a Natural Material, Climate and Environment Play a Large Role in the Patina Process. No Two Pieces of Corten Will be the Same During or After the Patina Process. Each Piece of Corten is Unique. Steel Concepts Ships All Products Unweathered. They will Patina Over 6-12 Month time period when placed Outdoors.

## PRODUCT DETAILS

- H 8" (20cm)
- W 24" (61cm)
- D 8" (20cm)
- WT 14 lbs (6kg)



5400 Harvard Ave, Cleveland, OH 44105 USA  
(833) 783-3556 | info@steelkoncepts.com | www.steelkoncepts.com

