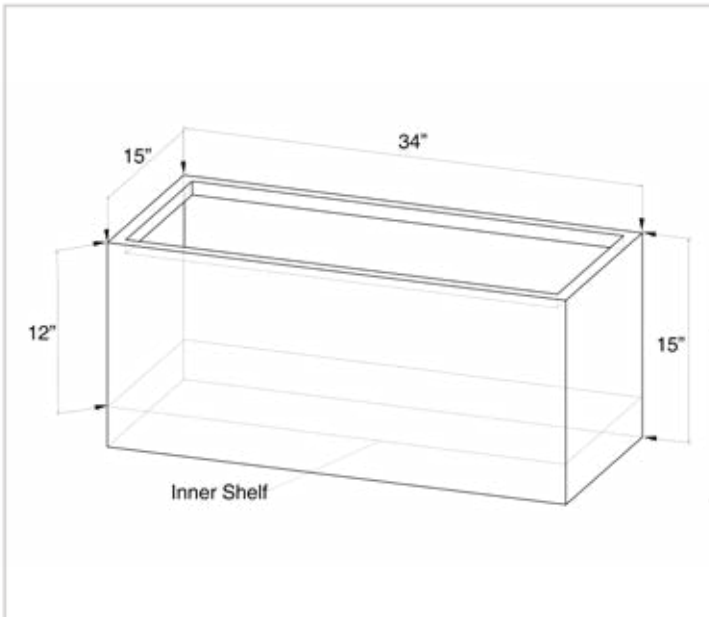
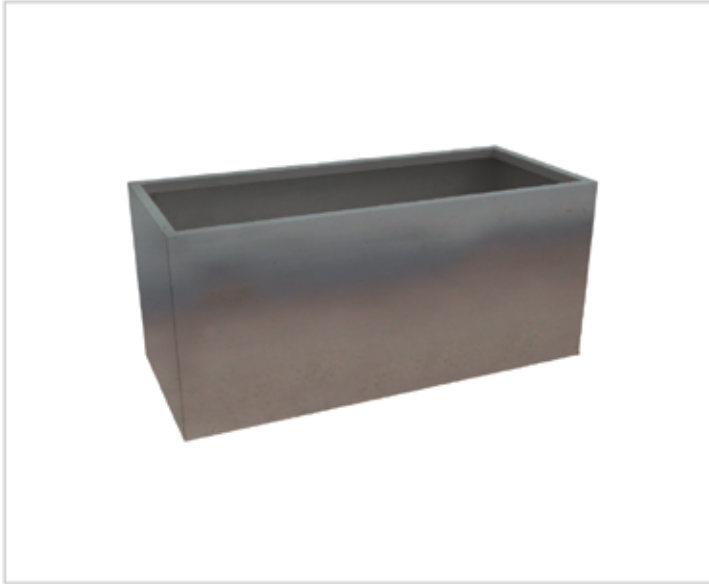


Box Medium

Item # PLC - B39
15" x 34" x 15"

Final Model #		
Project		
Type	Area	

UPC #:



FULL PRODUCT DESCRIPTION

Corten is a weathering steel that has the unique attribute of oxidizing while maintaining its structural integrity. The surface of Corten will develop an ever changing and unique patina. This sleek design is perfect for an Entrance, Border, Porch, Poolside, or Balcony.

KEY BULLET POINTS

- Corten 16 Gauge Steel Produced in USA
- 1.5 mm Wall Thickness
- Hand Dressed Full Seam Welds
- Fixed Interior Shelf With 3 Drain Holes
- Weathering Steel Will Patina Naturally Over Time
- Corten Planters Are Shipped Un-Weathered
- 5-Year Warranty

COLOR OPTIONS

*Corten Patina Process

Raw Corten New Corten 6 Months 12 Months



*As Corten is a Natural Material, Climate and Environment Play a Large Role in the Patina Process. No Two Pieces of Corten Will be the Same During or After the Patina Process. Each Piece of Corten is Unique. Steel Concepts Ships All Products Unweathered. They will Patina Over 6-12 Month time period when placed Outdoors.

PRODUCT DETAILS

H 15" (38cm)
W 34" (86cm)
D 15" (38cm)
WT 42 lbs (19kg)

