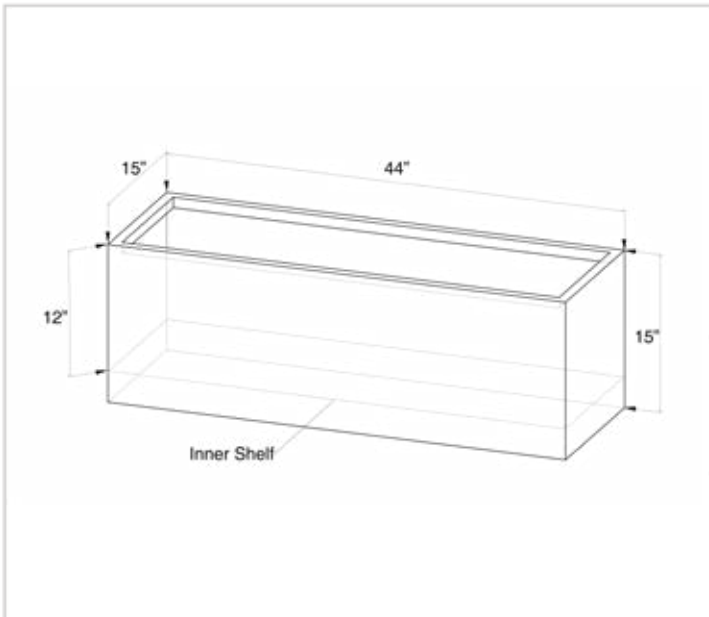


# Box Large

Item # PLG -B44  
15" x 44" x 15"

Final Model #		
Project		
Type	Area	

## UPC #:



## FULL PRODUCT DESCRIPTION

Galvanneal steel offers an ideal surface for painting. Its zinc iron alloyed coating combined with a durable powder coating offers superior performance with excellent longevity. This anti-corrosive steel is designed so oxidation cannot occur. These Planters are perfect for an Entrance, Border, Porch, Poolside, or Balcony. Suitable for indoor or outdoor applications.

## KEY BULLET POINTS

- Commercial Grade Planter
- Zinc Coated Galvanneal 18 Gauge Steel Produced in USA
- 1 mm Wall Thickness
- Hand Dressed Full Seam Welds
- Fixed Interior Shelf With 3 Drain Holes
- 3 Drain Hole Base
- 5-Year Structural Warranty, 3-year Finish Warranty

## COLOR OPTIONS

### Textured

White Onyx Graphite Flax



### Vibrant

Orange Lime Citron Teal Cobalt Aubergine



## PRODUCT DETAILS

H 15"(38cm)  
W 44"(112cm)  
D 15"(38cm)  
WT 37 lbs (17kg)

