

# Column Medium

Item # PLG- C38  
34" x 14" x 14"

Final Model #		
Project		
Type	Area	

## UPC #:



## FULL PRODUCT DESCRIPTION

Galvanneal steel offers an ideal surface for painting. Its zinc iron alloyed coating combined with a durable powder coating offers superior performance with excellent longevity. This anti-corrosive steel is designed so oxidation cannot occur. These Planters are perfect for an Entrance, Border, Porch, Poolside, or Balcony. Suitable for indoor or outdoor applications.

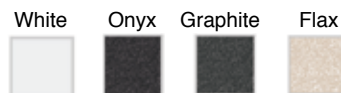
## KEY BULLET POINTS

- Commercial Grade Planter
- Zinc Coated Galvanneal 18 Gauge Steel Produced in USA
- 1 mm Wall Thickness
- Hand Dressed Full Seam Welds
- Fixed Interior Shelf With 3 Drain Holes
- 3 Drain Hole Base
- 5-Year Structural Warranty, 3-year Finish Warranty

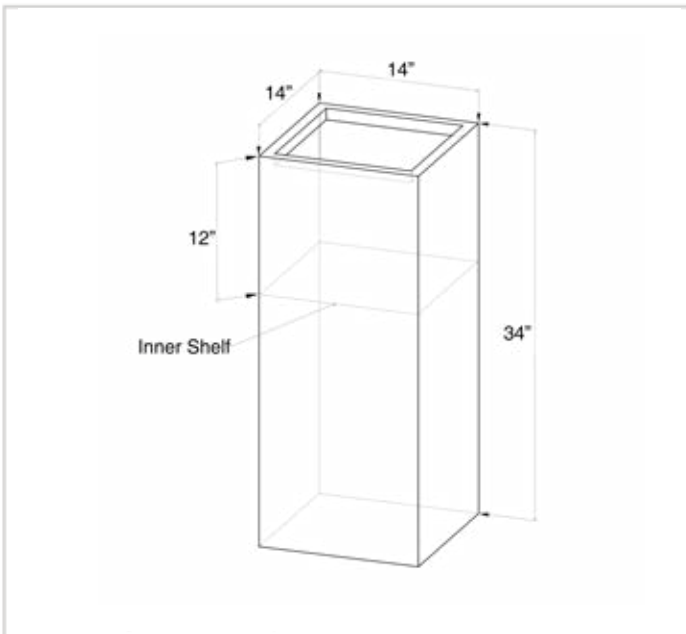
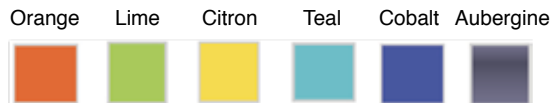


## COLOR OPTIONS

### Textured



### Vibrant



## PRODUCT DETAILS

H 37"(75cm)  
W 14"(31cm)  
D 14"(31cm)  
WT 31.5 lbs (14kg)

